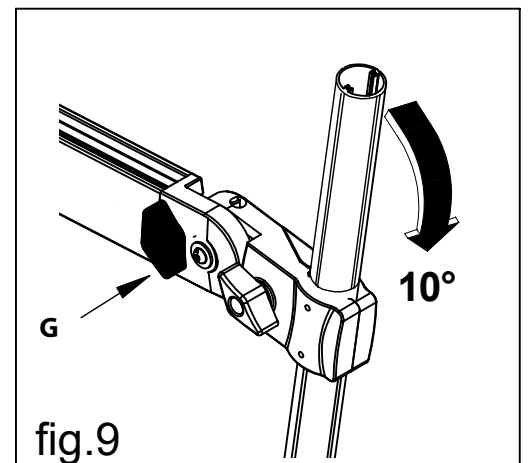
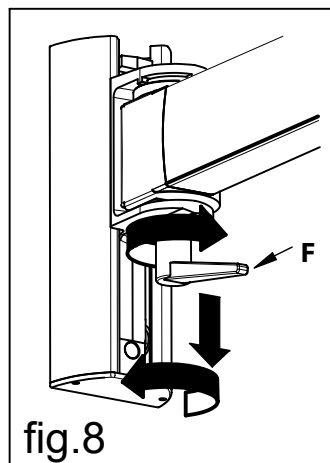
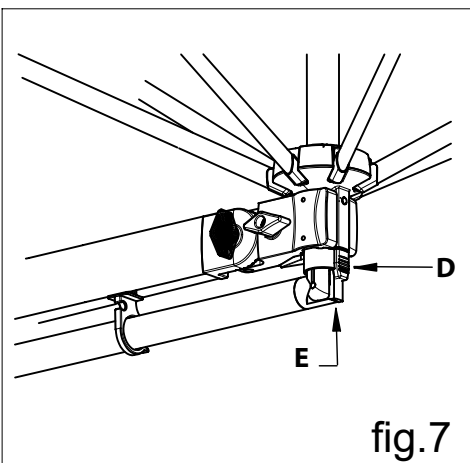
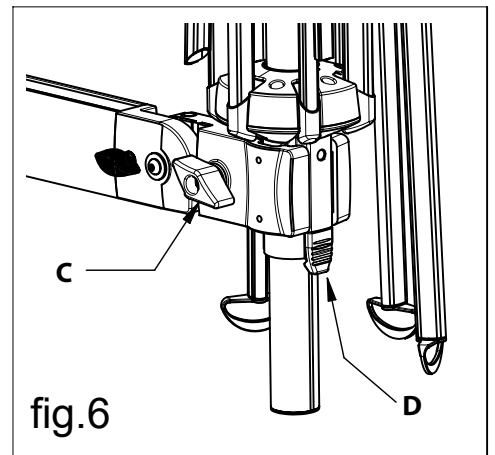
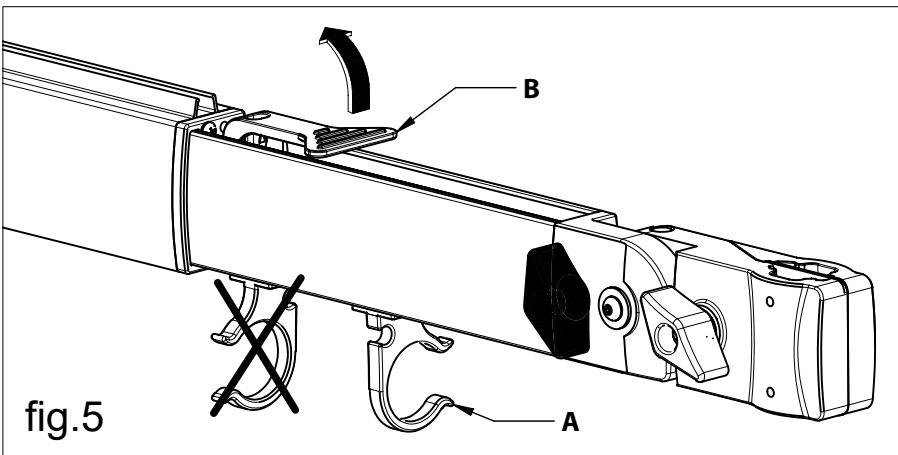
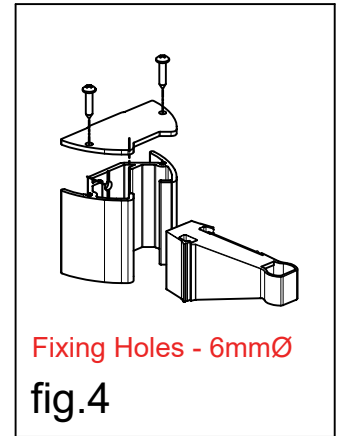
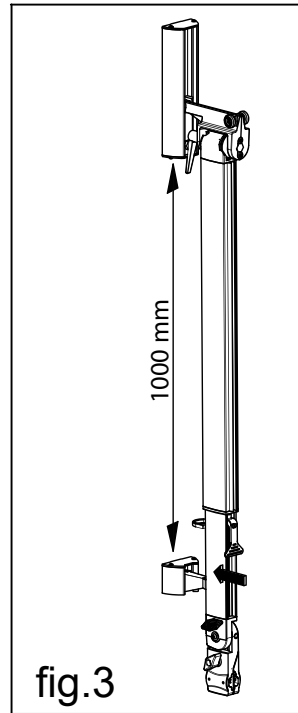
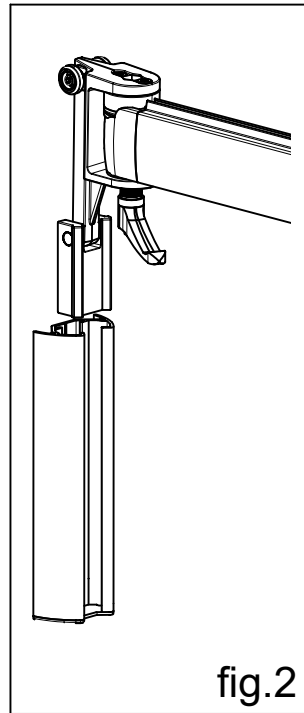
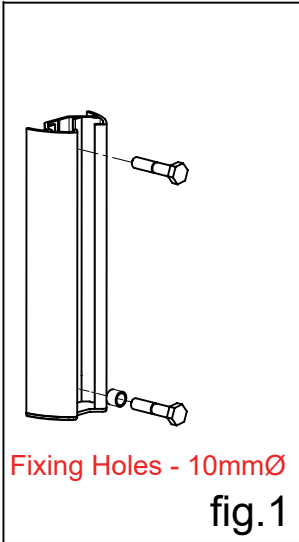




ELLA
LIFESTYLE

GRACE 10



Assembly & Installation

- Step 1** (fig.1) Fix the upper wall bracket on a solid wall or pole. If you have any doubts consult a professional. The advised height to fix the upper wall bracket is +/- 2000mm (this height depends on the height of the operator)
- Step 2** (fig.2) Slide the main support arm into the upper wall bracket
- Step 3** (fig.3) Fix the lower wall bracket to the wall approximately 1000mm below the upper wall bracket.
- Step 4** (fig.4) Assemble lower wall bracket
- Step 5** (fig.5) Lift the main support arm to its horizontal position. Install pole support clip (A) and test telescopic slide by lifting lever (B)
- Step 6** (fig.6) Slide the Umbrella head and pole into the end clamp. Ensure that the Umbrella is orientated with the push button (D) to the front. Check that the fit is neat, then tighten knob (C)
- Step 7** (fig.7) To open the Umbrella - Press button (D) and pull down on the Umbrella pole so that the Umbrella is completely open. **Note that the hinged elbow joint (E) must be clear of the main support arm clamp**, then swing the pole up into the pole support clip.
- Your Grace 10 Umbrella is now assembled and ready for use**

Operation

Telescopic Arm 1400-1800mm: To adjust the extension length, lift lever (B) and slide the Umbrella in or out to the desired position.

Horizontal swing: (fig.8) Turn the handle (F) anti-clockwise to loosen. When the Umbrella is swung into its desired position, turn the handle clockwise until tight to lock the Umbrella position. If the handle has been turned a full rotation and it is still not tight, you can pull down on the handle so that it is in free mode and twist it back before releasing the handle allowing it to spring back up and tighten further.

Umbrella Tilt: (fig.9) Pull on knob (G) and the Umbrella will tilt 10 degrees into its tilt position. To set the Umbrella back in its standard position, simply pull on knob (G) again and lift the Umbrella until it locates back in its standard position and the locking knob clicks back into place.

Closing the Umbrella: If still extended, slide the telescopic arm back into its closed position. Remove the Umbrella pole from support clip (A) and swing down so that it hangs vertically. Press button (D) and push the pole up until it clicks into its closed position. While still holding onto the pole, pull knob (G) and lie the Umbrella flat against the main support arm. Now lift the main support arm so that it slides partway up and out of the upper wall bracket exposing the pivot point. The Umbrella can then be lowered down so that it locates into the lower wall bracket.

Always close your Grace 10 when not in use.

